

CS-Z8EFFICIENCY JUICER

Operating Manual

CONTENTS

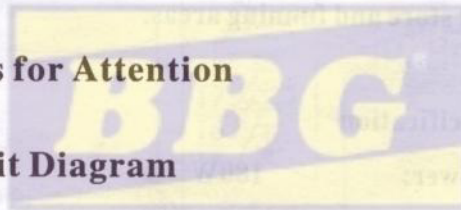
I. Specification

II. Disassembly Drawing & Parts List

III. Operating Guide

IV. Points for Attention

V. Circuit Diagram



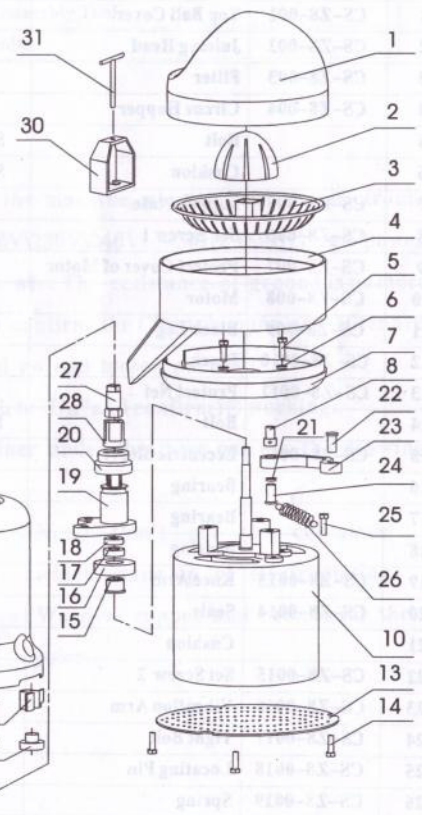
Soluciones de pesaje y
equipos para alimentos

The product is executed standards of GB 47.38-2003

Note: Please keeping the manual carefully for checkig.

Apologized for no announcement if any product update.

2. Disassembly drawing and part lists



Soluciones de pesaje y
equipos para alimentos

Thank you made a correct choice our "CS-Z8" efficiency juicer. She is a fashion style, high technical new product. Her heart is a heavy-duty efficiency motor Juice making speed is very quick and Juice rate is pretty high. Just a few second she can make fresh, tasty, delicious juice. "Just made it and just drink it." There are not any preservative and pigment, It is very helpful for heath. It has a handsome sharp. Many of parts are made up of stainless steel. They are corrosion resistance; rough resistance; easy cleaning. Her construction is compact, The slot is ingeniously conceived. There is a auto protection unit in the electronic system So the machine is easy operating, working safety and running smoothly Her large application fields are including all hotels, Inn, Bar, food store, supermarket, Chinese restaurant and west restaurant, fruit store and funning areas.

1. Technical Specification

- 1.1 Input power: 180W
- 1.2 Rated Voltage: 110V\220V\230V\240V
- 1.3 Frequency 50Hz\60Hz
- 1.4 Rotary Speed 1500rpm
- 1.5 Weight 15.2Kg
- 1.6 Dimension 210x246x400(mm)

MANUAL-EXPRIMIDOR MARCA BBG REF: EN-25

Part Lists

Items	Parts Number	Description	Remark
1	CS-Z8-001	Top Ball Cover	
2	CS-Z8-002	Juicing Head	
3	CS-Z8-003	Filter	
4	CS-Z8-004	Circus Hopper	
5		Bolt	Standard
6		Cushion	Standard
7	CS-Z8-005	Supper Plate	
8	CS-Z8-006	Set Screw 1	
9	CS-Z8-007	Protect Cover of Motor	
10	CS-Z8-008	Motor	
11	CS-Z8-009	Block Leg	
12	CS-Z8-0010	Block	
13	CS-Z8-0011	Protect Net	
14		Bolt	Standard
15	CS-Z8-0012	Eccentric Sleeve	
16		Bearing	
17		Bearing	
18		Bearing	
19	CS-Z8-0013	Knee Arm	
20	CS-Z8-0014	Seals	
21		Cushion	Standard
22	CS-Z8-0015	Set Screw 2	
23	CS-Z8-0016	Vibration Arm	
24	CS-Z8-0017	Tight Bolt	
25	CS-Z8-0018	Locating Pin	
26	CS-Z8-0019	Spring	
27	CS-Z8-0020	Lock Pin	

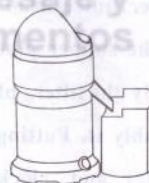
28	CS-Z8-0021	Lock Sleeve	
29		Switch of Machine	
30	CS-Z8-022	Disassembly Tool	
31	CS-Z8-023	Handle	

3. Operating Guide

3.1 Before turn on the machine, please check the electronic power is 220V(110V\230V\240V) – 50Hz (60Hz) and power socket has an earth wire The resistance of ground is no more 0.1–Ohm.(Ω). Then confirm the Circus hopper and filter are both assembled and no and loosen parts.

3.2 Set the switch to "On" and confirm its working.

3.3 Put a container under the juice out. As the drawing show.



Note: Don't use the container, which made up of electroplating. Wooden, copper and bronze for the juice.

3.4 Cleaning the skin of an orange and cutting it to two

MANUAL EXPRIMIDOR MARCA BBG REF: EN-25

half, handing one half and putting on the juice head, giving a foice to pushing down, fresh juice will come out from the ourlet. Notc: your fingers just contact on the skin of the orange.



Note: Be careful protecting your body contact with any rotary parts of the machine.

3.5 After used it ach time, turn off the switch and pull out from socket. Disassembly all parts which contact with juice including top ball cover, circus hopper, filter, juice head and clear by clean water carefully. Cleaning the supper plate by wet sponge or soft cloths. When disassembly the filter, please note: using the a special tool to disassembly it. Putting the socket of the tool in square cut of filter and clockwise direction rotary the top handle. Loosen it and pick out The special tool is no necessary when assembly the filter.

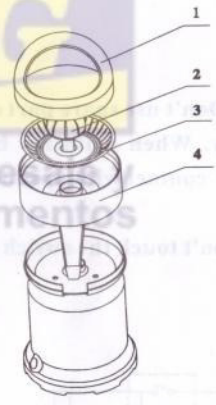
Note: The filter is precision part.



Note: Please operating it very carefully for its keeping good working, operating smoothly and extension its working life.

Cleat the remains on the filter to keep the high juice producing rate.

3.6 Assembly all clear and dry parts for using in next time.



Note: Plcasc disassembly first and clear the parts. Don't water to clear the part in the machine.

- 1. top ball cover
- 2. Juice head
- 3. filter
- 4. circus hopper

4. Points for Attention

MANUAL EXPRIMIDOR MARCA BBG REF: EN-25